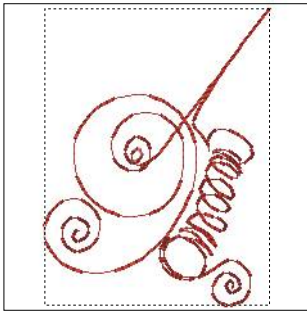
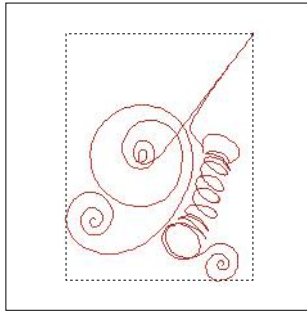


Printed 3/3/2022



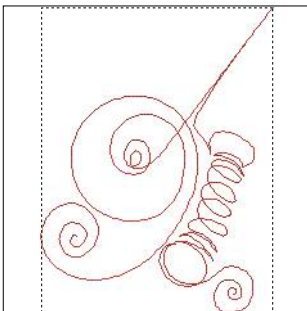
■ 1. Poppy (Isa:1703)

Sew Sweet Quilting 001-4x4.dst
2.88x3.80 inches; 2,225 stitches
1 thread changes; 1 colors



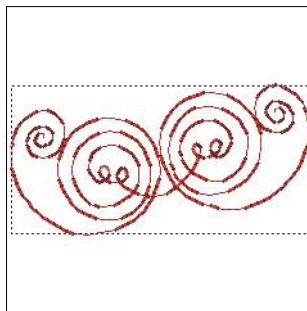
■ 1. Poppy (Isa:1703)

Sew Sweet Quilting 001-5x7.dst
4.79x6.31 inches; 3,276 stitches
1 thread changes; 1 colors



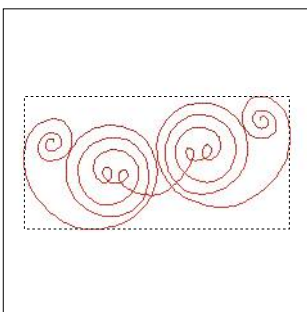
■ 1. Poppy (Isa:1703)

Sew Sweet Quilting 001-8x8.dst
5.92x7.79 inches; 3,834 stitches
1 thread changes; 1 colors



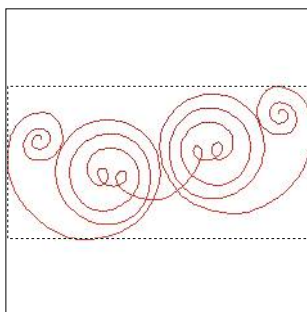
■ 1. Poppy (Isa:1703)

Sew Sweet Quilting 002-4x4.dst
3.80x1.91 inches; 2,167 stitches
1 thread changes; 1 colors



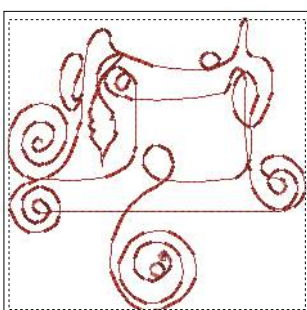
■ 1. Poppy (Isa:1703)

Sew Sweet Quilting 002-5x7.dst
6.79x3.41 inches; 3,387 stitches
1 thread changes; 1 colors



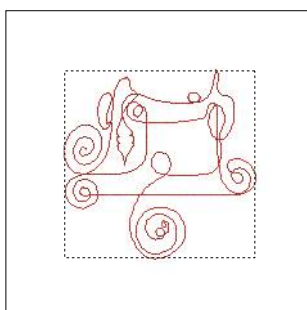
■ 1. Poppy (Isa:1703)

Sew Sweet Quilting 002-8x8.dst
7.79x3.91 inches; 3,836 stitches
1 thread changes; 1 colors



■ 1. Poppy (Isa:1703)

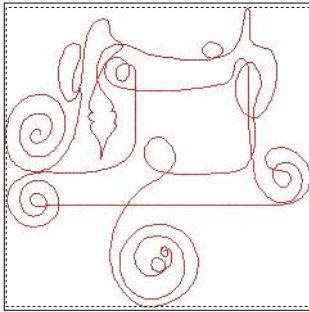
Sew Sweet Quilting 003-4x4.dst
3.80x3.72 inches; 3,198 stitches
1 thread changes; 1 colors



■ 1. Poppy (Isa:1703)

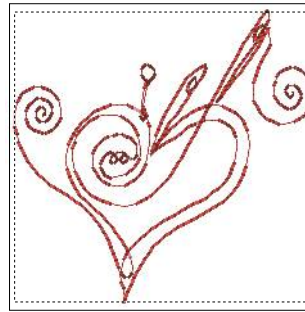
Sew Sweet Quilting 003-5x7.dst
4.89x4.80 inches; 3,777 stitches
1 thread changes; 1 colors

Printed 3/3/2022



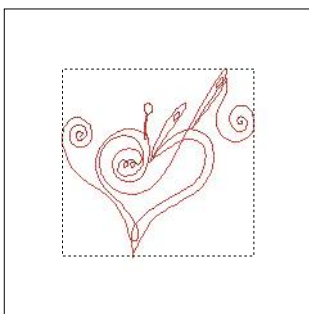
■ 1. Poppy (Isa:1703)

Sew Sweet Quilting 003-8x8.dst
7.79x7.65 inches; 5,666 stitches
1 thread changes; 1 colors



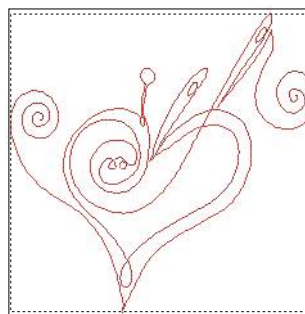
■ 1. Poppy (Isa:1703)

Sew Sweet Quilting 004-4x4.dst
3.80x3.72 inches; 1,793 stitches
1 thread changes; 1 colors



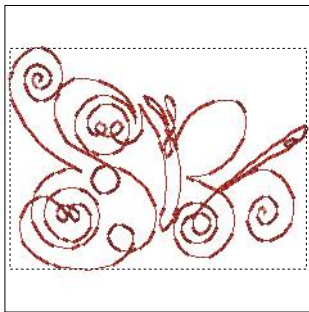
■ 1. Poppy (Isa:1703)

Sew Sweet Quilting 004-5x7.dst
4.91x4.80 inches; 2,162 stitches
1 thread changes; 1 colors



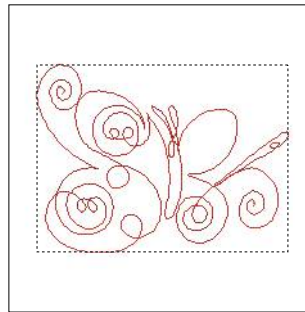
■ 1. Poppy (Isa:1703)

Sew Sweet Quilting 004-8x8.dst
7.80x7.63 inches; 2,912 stitches
1 thread changes; 1 colors



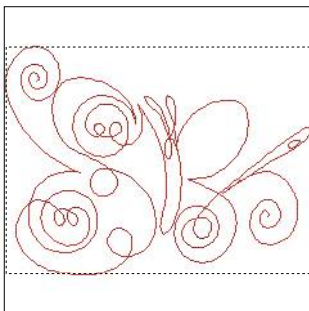
■ 1. Poppy (Isa:1703)

Sew Sweet Quilting 005-4x4.dst
3.80x2.83 inches; 3,289 stitches
1 thread changes; 1 colors



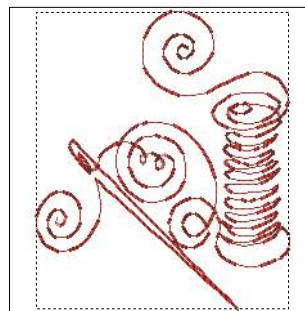
■ 1. Poppy (Isa:1703)

Sew Sweet Quilting 005-5x7.dst
6.43x4.79 inches; 4,841 stitches
1 thread changes; 1 colors



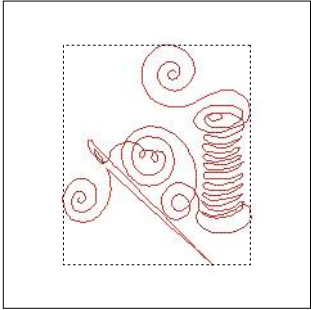
■ 1. Poppy (Isa:17039)

Sew Sweet Quilting 005-8x8.dst
7.80x5.81 inches; 5,657 stitches
1 thread changes; 1 colors



■ 1. Poppy (Isa:1703)

Sew Sweet Quilting 006-4x4.dst
3.24x3.80 inches; 2,842 stitches
1 thread changes; 1 colors



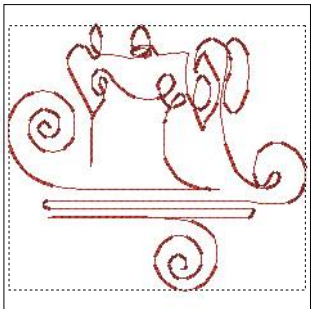
■ 1. Poppy (Isa:1703)

Sew Sweet Quilting 006-5x7.dst
4.80x5.62 inches; 3,833 stitches
1 thread changes; 1 colors



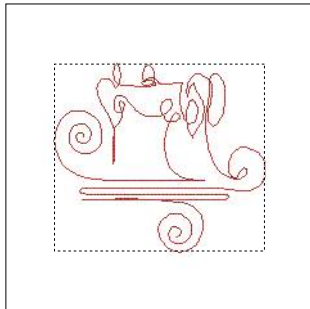
■ 1. Poppy (Isa:1703)

Sew Sweet Quilting 006-8x8.dst
6.65x7.80 inches; 4,991 stitches
1 thread changes; 1 colors



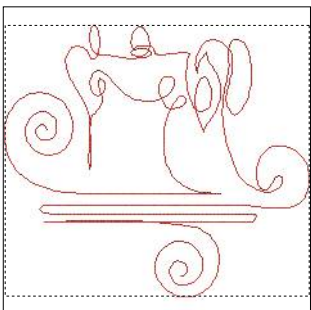
■ 1. Poppy (Isa:1703)

Sew Sweet Quilting 007-4x4.dst
3.80x3.39 inches; 2,883 stitches
1 thread changes; 1 colors



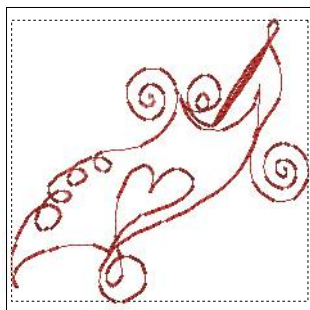
■ 1. Poppy (Isa:1703)

Sew Sweet Quilting 007-5x7.dst
5.38x4.80 inches; 3,447 stitches
1 thread changes; 1 colors



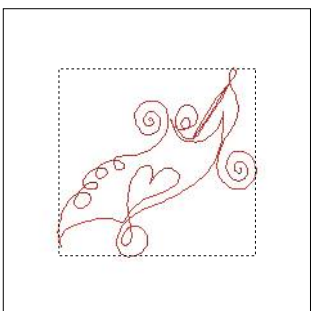
■ 1. Poppy (Isa:1703)

Sew Sweet Quilting 007-8x8.dst
7.80x6.95 inches; 4,647 stitches
1 thread changes; 1 colors



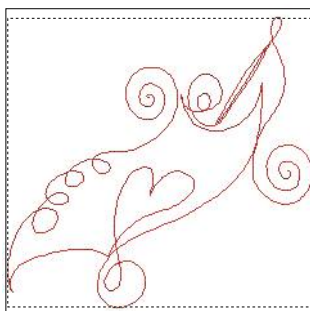
■ 1. Poppy (Isa:1703)

Sew Sweet Quilting 008-4x4.dst
3.80x3.60 inches; 2,372 stitches
1 thread changes; 1 colors



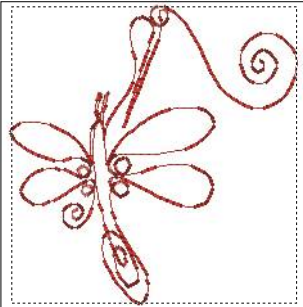
■ 1. Poppy (Isa:1703)

Sew Sweet Quilting 008-5x7.dst
5.06x4.80 inches; 3,038 stitches
1 thread changes; 1 colors



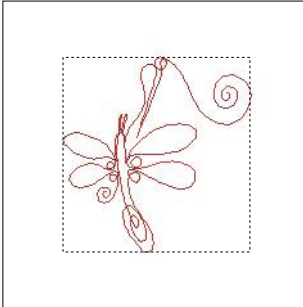
■ 1. Poppy (Isa:1703)

Sew Sweet Quilting 008-8x8.dst
7.80x7.40 inches; 4,239 stitches
1 thread changes; 1 colors



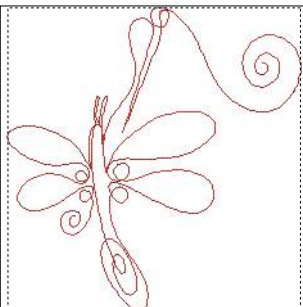
■ 1. Poppy (Isa:1703)

Sew Sweet Quilting 009-4x4.dst
3.65x3.80 inches; 2,390 stitches
1 thread changes; 1 colors



■ 1. Poppy (Isa:1703)

Sew Sweet Quilting 009-5x7.dst
4.80x4.99 inches; 2,985 stitches
1 thread changes; 1 colors



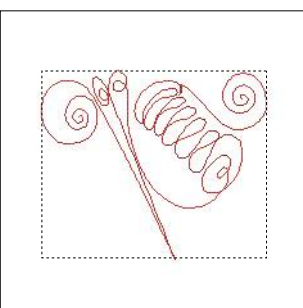
■ 1. Poppy (Isa:1703)

Sew Sweet Quilting 009-8x8.dst
7.50x7.80 inches; 4,371 stitches
1 thread changes; 1 colors



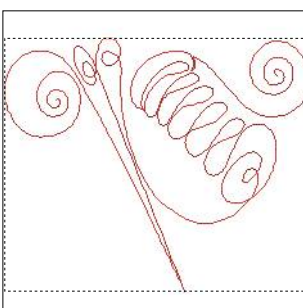
■ 1. Poppy (Isa:1703)

Sew Sweet Quilting 010-4x4.dst
3.80x3.16 inches; 2,296 stitches
1 thread changes; 1 colors



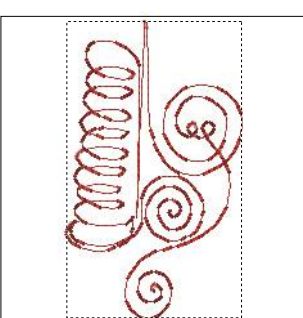
■ 1. Poppy (Isa:1703)

Sew Sweet Quilting 010-5x7.dst
5.76x4.80 inches; 3,206 stitches
1 thread changes; 1 colors



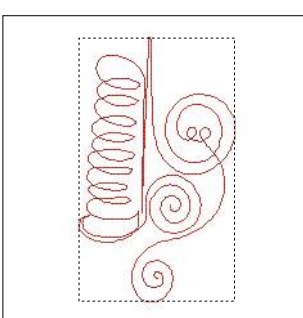
■ 1. Poppy (Isa:1703)

Sew Sweet Quilting 010-8x8.dst
7.80x6.49 inches; 4,100 stitches
1 thread changes; 1 colors



■ 1. Poppy (Isa:1703)

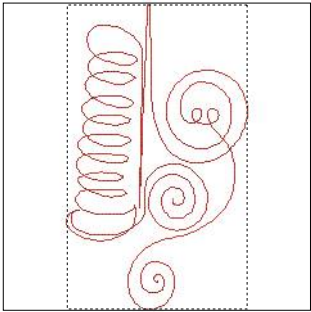
Sew Sweet Quilting 011-4x4.dst
2.25x3.80 inches; 2,592 stitches
1 thread changes; 1 colors



■ 1. Poppy (Isa:1703)

Sew Sweet Quilting 011-5x7.dst
4.00x6.76 inches; 4,034 stitches
1 thread changes; 1 colors

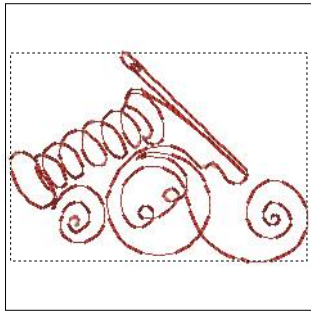
Printed 3/3/2022



■ 1. Poppy (Isa:1703)

Sew Sweet Quilting 011-8x8.dst
4.62x7.80 inches; 4,602 stitches
1 thread changes; 1 colors

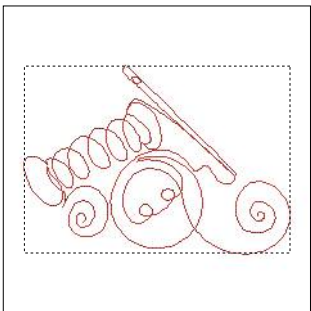
This panel shows a red embroidery design of a poppy flower. The design is contained within a dashed rectangular border. It features a central stem with several loops and a large, stylized flower head with a spiral center.



■ 1. Poppy (Isa:1703)

Sew Sweet Quilting 012-4x4.dst
3.80x2.67 inches; 2,235 stitches
1 thread changes; 1 colors

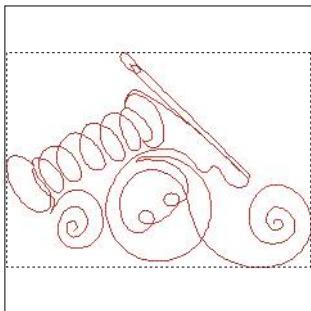
This panel shows a red embroidery design of a poppy flower, similar to the first panel but scaled down. It is contained within a dashed rectangular border and includes a needle and thread icon at the top right.



■ 1. Poppy (Isa:1703)

Sew Sweet Quilting 012-5x7.dst
6.80x4.80 inches; 3,588 stitches
1 thread changes; 1 colors

This panel shows a red embroidery design of a poppy flower, similar to the second panel but scaled up. It is contained within a dashed rectangular border and includes a needle and thread icon at the top right.



■ 1. Poppy (Isa:1703)

Sew Sweet Quilting 012-8x8.dst
7.80x5.51 inches; 3,964 stitches
1 thread changes; 1 colors

This panel shows a red embroidery design of a poppy flower, similar to the second panel but scaled up further. It is contained within a dashed rectangular border and includes a needle and thread icon at the top right.