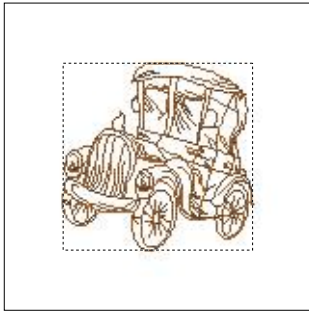


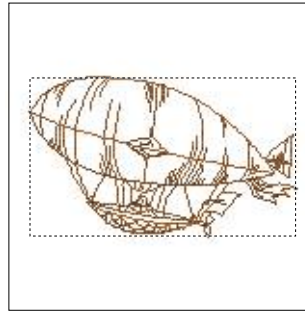
Printed 7/14/2022



■ 1. Bronze (Mad:1257)

**Classic Transportation-001-5x7.dst**

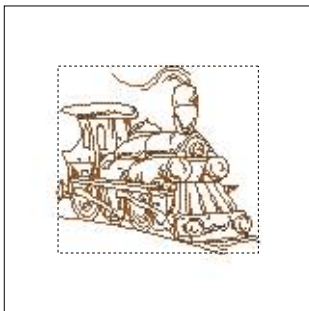
4.86x4.79 inches; 7,892 stitches  
1 thread changes; 1 colors



■ 1. Bronze (Mad:1257)

**Classic Transportation-002-5x7.dst**

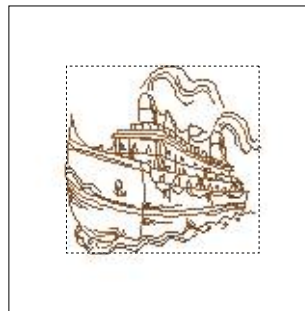
6.80x4.07 inches; 6,013 stitches  
1 thread changes; 1 colors



■ 1. Bronze (Mad:1257)

**Classic Transportation-003-5x7.dst**

5.13x4.80 inches; 8,375 stitches  
1 thread changes; 1 colors



■ 1. Bronze (Mad:1257)

**Classic Transportation-004-5x7.dst**

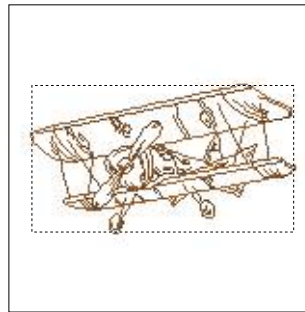
4.94x4.80 inches; 7,522 stitches  
1 thread changes; 1 colors



■ 1. Bronze (Mad:1257)

**Classic Transportation-005-5x7.dst**

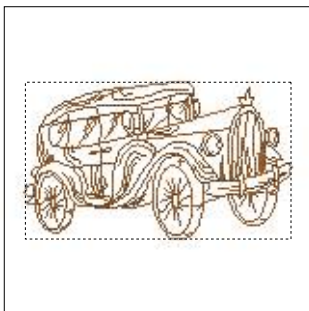
4.94x4.80 inches; 5,301 stitches  
1 thread changes; 1 colors



■ 1. Bronze (Mad:1257)

**Classic Transportation-006-5x7.dst**

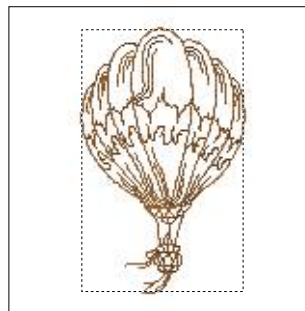
6.72x3.78 inches; 5,979 stitches  
1 thread changes; 1 colors



■ 1. Bronze (Mad:1257)

**Classic Transportation-007-5x7.dst**

6.80x4.03 inches; 8,800 stitches  
1 thread changes; 1 colors

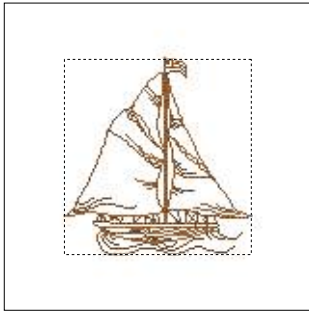


■ 1. Bronze (Mad:1257)

**Classic Transportation-008-5x7.dst**

4.15x6.70 inches; 7,389 stitches  
1 thread changes; 1 colors

Printed 7/14/2022



■ 1. Bronze (Mad:1257)

**Classic Transportation-009-5x7.dst**

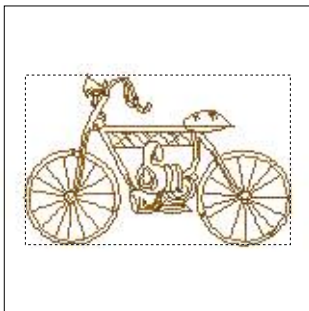
4.80x5.02 inches; 5,014 stitches  
1 thread changes; 1 colors



■ 1. R142 G80 B0

**Classic Transportation-010-5x7.dst**

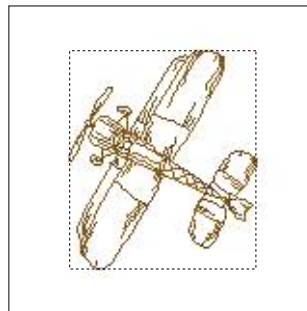
5.17x4.80 inches; 8,910 stitches  
1 thread changes; 1 colors



■ 1. R142 G80 B0

**Classic Transportation-011-5x7.dst**

6.79x4.35 inches; 7,039 stitches  
1 thread changes; 1 colors



■ 1. R142 G80 B0

**Classic Transportation-012-5x7.dst**

4.79x5.60 inches; 4,943 stitches  
1 thread changes; 1 colors